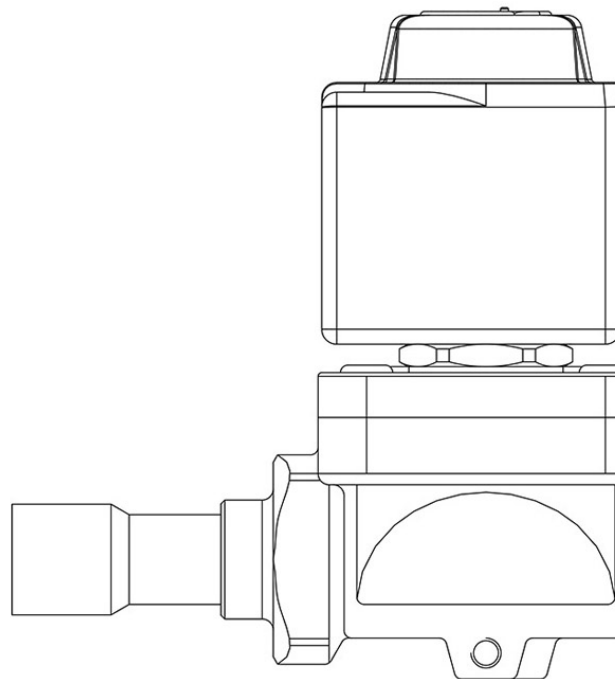


## Product Code

# 1079EX/7A6

Solenoid Valve ATEX  
7/8"-22mm ODS 220-230V<br>PS = 50 bar



### Product use

Solenoid valves with the EX suffix are compliant with the ESR of Directive 2014/34/EU ATEX. This equipment is suitable for use on refrigeration systems located in areas classified as Zone 2 risk of explosion, according to the definition in Annex I of Directive 1999/92/EC.

Accessories for use with the following ASHRAE 34:2019 refrigerants, Class A1, A2L, or A3:

HFC (R134A, R32, R404A, R407C, R410A, R507)

HFO (R1234YF, R1234ZE)

HFO + HFC (R448A, R449A, R450A, R452A, R452B, R454A, R454B, R454C, R455A, R513A, R515A, R515B)

HC (R290, R600, R600A, R1270)

These valves are only sold in the model with the ATEX certified coil (A6 suffix).

### Product Details

**Operating principle** Diaphragm pilot operated

**Coil Type (1)** HM2(EX)

**Connections ODS Ø [in.]** 7/8"

**Connections ODS Ø [mm]** 22

**Kv [m³/h]** 2,61

**PS [bar]** 50

**TS [°C] min.** -40

**TS [°C] max.** +120

**Package Pcs.** 17

## Notes where expressly stated

(1) : coils mounted on the valves