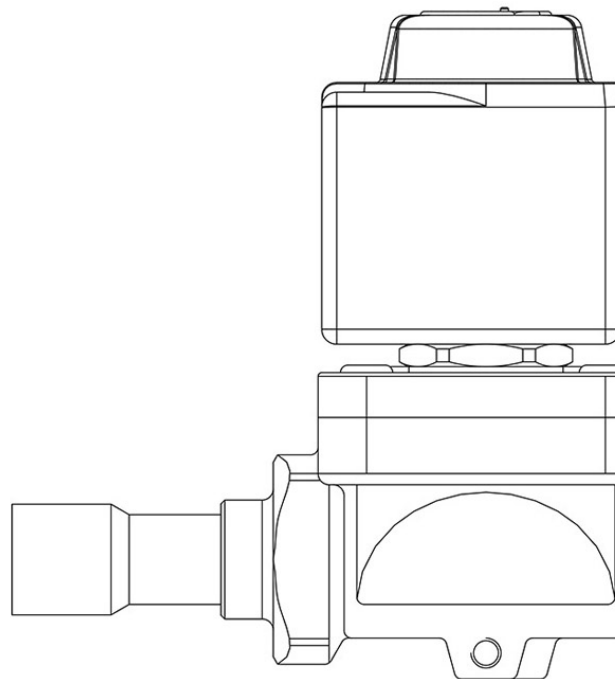


Product Code

1078EX/M12A6

Solenoid Valve

12mm ODS 220-230V
PS = 50 bar



Product use

Solenoid valves with the EX suffix are compliant with the ESR of Directive 2014/34/EU ATEX. This equipment is suitable for use on refrigeration systems located in areas classified as Zone 2 risk of explosion, according to the definition in Annex I of Directive 1999/92/EC.

Accessories for use with the following ASHRAE 34:2019 refrigerants, Class A1, A2L, or A3:

HFC (R134A, R32, R404A, R407C, R410A, R507)

HFO (R1234YF, R1234ZE)

HFO + HFC (R448A, R449A, R450A, R452A, R452B, R454A, R454B, R454C, R455A, R513A, R515A, R515B)

HC (R290, R600, R600A, R1270)

These valves are only sold in the model with the ATEX certified coil (A6 suffix).

Product Details

Operating principle Diaphragm pilot operated

Coil Type (1) HM2(EX)

Connections ODS Ø [in.] -

Connections ODS Ø [mm] 12

Kv [m³/h] 2,2

PS [bar] 50

TS [°C] min. -40

TS [°C] max. +120

Package Pcs. 17

Notes where expressly stated

(1) : coils mounted on the valves