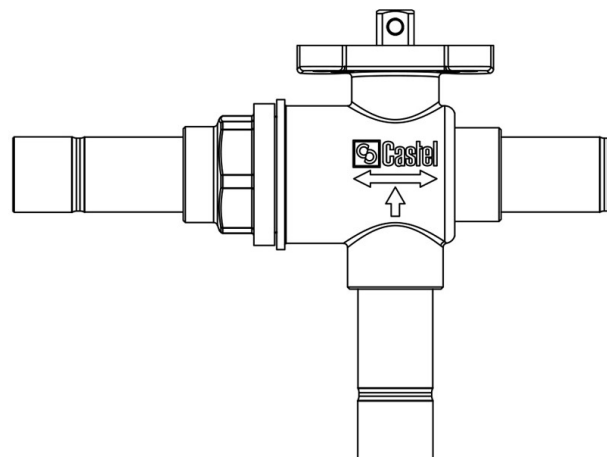


## Product Code

# 6690NB/M12

3-Ways Valves to be motorized  
12mm ODS<br>PS = 50 bar



## Product use

Accessories for use with the following ASHRAE 34:2019 refrigerants, Class A1, A2L, A3:

HFC (R134A, R32, R404A, R407C, R410A, R507)

HFO (R1234YF, R1234ZE)

HFO + HFC (R448A, R449A, R450A, R452A, R452B, R454A, R454B, R454C, R455A, R513A, R515A, R515B)

HC (R290, R600, R600A, R1270)

## Product Details

**Part number (1)** 6690NB/M12

**Part number (1)** NEW

**Connections ODS Ø [in.]** -

**Connections ODS Ø [mm]** 12

**Ball port Ø [mm]** 13,5

**Kv [m<sup>3</sup>/h]** 4,6

**PS [bar]** 50

**MWP [psi] (2)** 725

**TS [°C] min** -40

**TS [°C] max** +150

**Package pcs** 1

## Notes where expressly stated

*Castel non si assume alcuna responsabilità per eventuali errori nei cataloghi, opuscoli e altro materiale stampato o indicato nel sito Castel.it. Castel si riserva il diritto di modificare i propri prodotti senza preavviso. Tutti i marchi in questo materiale sono di proprietà di Castel. Tutti i diritti riservati.*

*Castel assumes no responsibility for any errors in catalogs, brochures and other material printed or indicated on the Castel.it website. Castel reserves the right to modify its products without notice. All trademarks in this material are the property of Castel. All rights reserved.*

NB: proportional flow versions available

(1): with adapter for servomotors with ISO mounting flange

(2): according to UL approval

(3): not UL approved

(4): UL approval ongoing