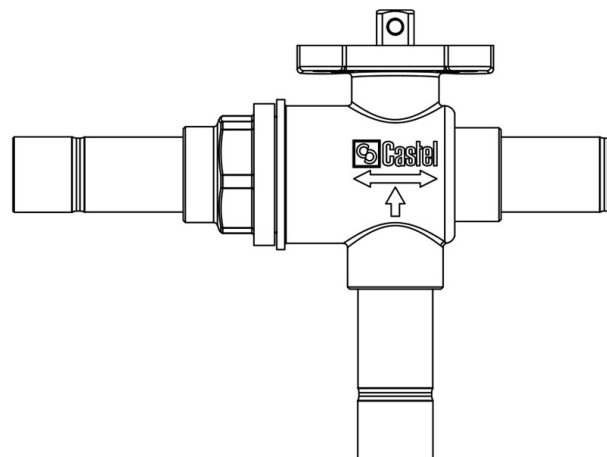


Product Code

6690NB/M10

3-Ways Valves to be motorized
10mm ODS
PS = 50 bar



Product use

Accessories for use with the following ASHRAE 34:2019 refrigerants, Class A1, A2L, A3:

HFC (R134A, R32, R404A, R407C, R410A, R507)

HFO (R1234YF, R1234ZE)

HFO + HFC (R448A, R449A, R450A, R452A, R452B, R454A, R454B, R454C, R455A, R513A, R515A, R515B)

HC (R290, R600, R600A, R1270)

Product Details

Part number (1) 6690NB/M10

Part number (1) NEW

Connections ODS Ø [in.] -

Connections ODS Ø [mm] 10

Ball port Ø [mm] 13,5

Kv [m³/h] 4,6

PS [bar] 50

MWP [psi] (2) 725

TS [°C] min -40

TS [°C] max +150

Package pcs 1

Notes where expressly stated

Castel non si assume alcuna responsabilità per eventuali errori nei cataloghi, opuscoli e altro materiale stampato o indicato nel sito Castel.it. Castel si riserva il diritto di modificare i propri prodotti senza preavviso. Tutti i marchi in questo materiale sono di proprietà di Castel. Tutti i diritti riservati.

Castel assumes no responsibility for any errors in catalogs, brochures and other material printed or indicated on the Castel.it website. Castel reserves the right to modify its products without notice. All trademarks in this material are the property of Castel. All rights reserved.

NB: proportional flow versions available

(1): with adapter for servomotors with ISO mounting flange

(2): according to UL approval

(3): not UL approved

(4): UL approval ongoing