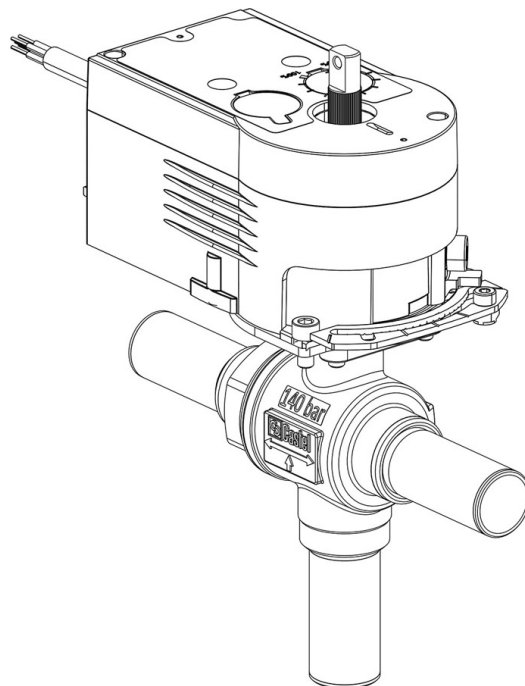


## Product Code

# 6698EM/M28A6

3-Ways Motorized Ball Valve CO2  
28mm W 230V  
PS = 140 bar



## Product use

Accessories for use with refrigerant R744.

## Product Details

Part number (1) 6698EM/M28A6

Part number (1)

Connections ODS Ø [in.] -

Connections ODS Ø [mm] -

W Ø [mm] 28

P/N Actuator 9700/RA6

Torque [Nm] 10

Ball port Ø [mm] 24

Kv [m<sup>3</sup>/h] 15,9

PS [bar] 140

TS [°C] min. -40

TS [°C] max. +150

Package pcs 1

## Notes where expressly stated

(1): including actuator and mounting plate

NB: proportional flow versions available