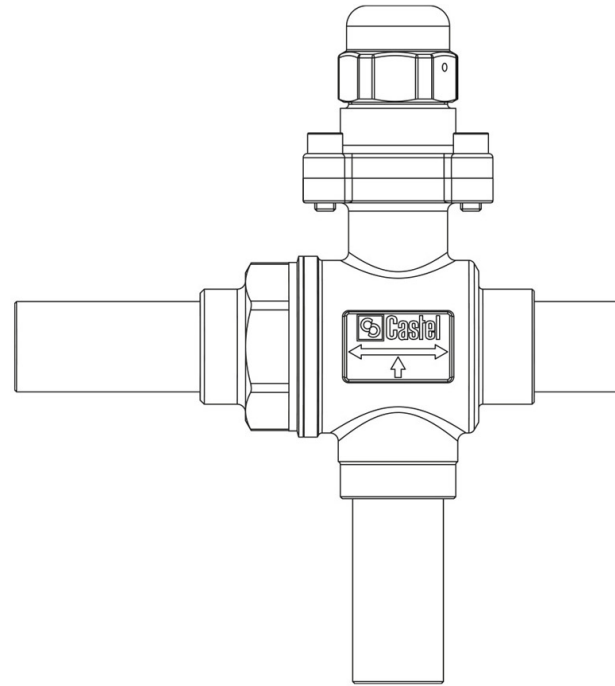


Product Code

**6698E/M73**

3-Ways Manual Ball Valve



Product use

Accessories for use with refrigerant R744.

Product Details

Connections ODS Ø [mm] 73

Kv [m<sup>3</sup>/h] 83

PS [bar] 140

MWP [psi] (1)

TS [°C] min. -40

TS [°C] max. +150

Package pcs 1

Notes where expressly stated

NB: proportional flow versions available

(1): according to UL approval

(2): not UL approved

(3): UL approval ongoing