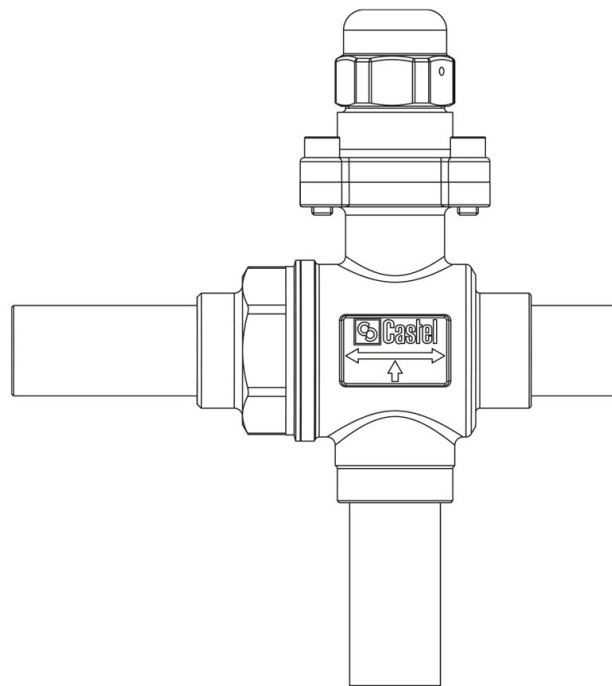


## Product Code

# 6698E/M22

3-Ways Manual Ball Valve CO2  
22mm W<br>PS = 140 bar



## Product use

Accessories for use with refrigerant R744.

## Product Details

Connections ODS Ø [mm]	22
Kv [m <sup>3</sup> /h]	10,7
PS [bar]	140
MWP [psi] (1)	2030
TS [°C] min.	-40
TS [°C] max.	+150
Package pcs	1

## Notes where expressly stated

NB: proportional flow versions available

(1): according to UL approval

(2): not UL approved

(3): UL approval ongoing