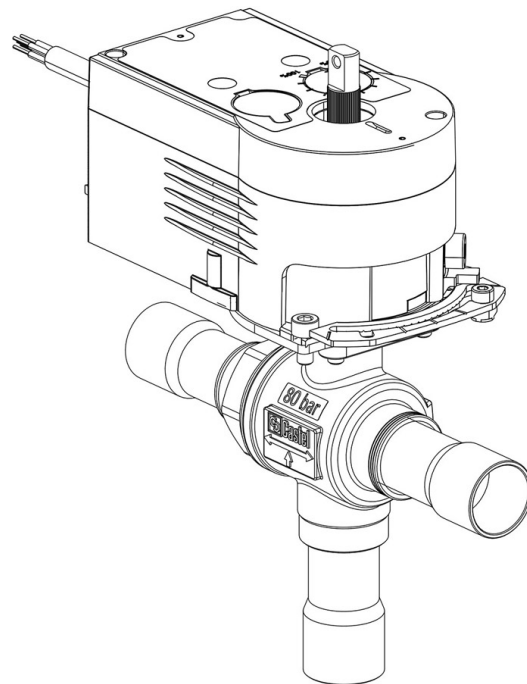


Product Code

**6690EM/9A2**

3-Ways Motorized Ball Valve CO2  
1.1/8" ODS 24V PS = 80 bar



### Product use

Accessories for use with refrigerant R744.

### Product Details

Part number (1) 6690EM/9A2

Part number (1)

Connections ODS Ø [in.] 1.1/8"

Connections ODS Ø [mm]

P/N Actuator 9700/RA2

Torque [Nm] 10

Ball port Ø [mm] 24

Kv [m<sup>3</sup>/h] 15,9

PS [bar] 80

TS [°C] min. -40

TS [°C] max. +150

Package pcs 1

### Notes where expressly stated

(1): including actuator and mounting plate  
NB: proportional flow versions available