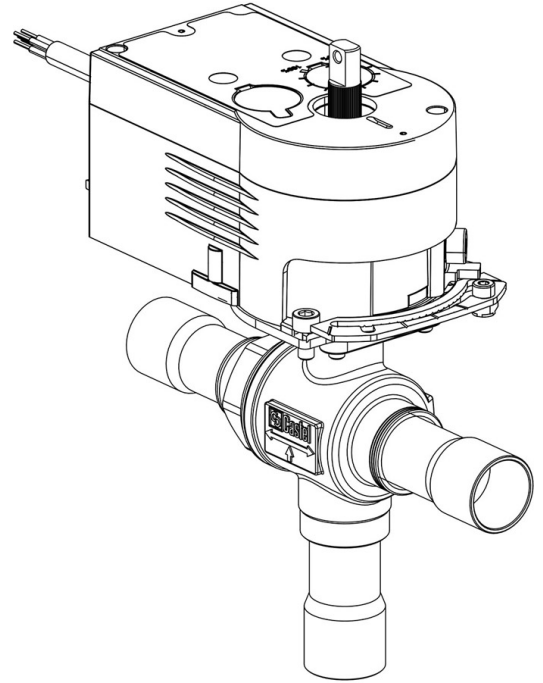


## Product Code

# 6690M/5A2

3-Ways Motorized Ball Valve  
5/8"-16mm ODS 24V<br>PS = 45 bar



### Product use

Accessories for use with the following ASHRAE 34:2019 refrigerants, Class A1:  
 HCFC (R22)  
 HFC (R134a, R404A, R407C, R410A, R507)  
 HFO (R1234ze)  
 HFO + HFC (R448A, R449A, R450A, R452A, R513A, R515A, R515B)

### Product Details

Part number (1) 6690M/5A2

Part number (1) NEW

Connections ODS Ø [in.] 5/8"

Connections ODS Ø [mm] 16

P/N Servomotor 9700/RA2

Torque [Nm] 10

Ball port Ø [mm] 13,5

Kv[m<sup>3</sup>/h] 4,6

PS[bar] 45

TS[°C] min. -40

TS[°C] max. +150

Package pcs 1

## Notes where expressly stated

NB: proportional flow versions available  
(1): with servomotor and mounting plate