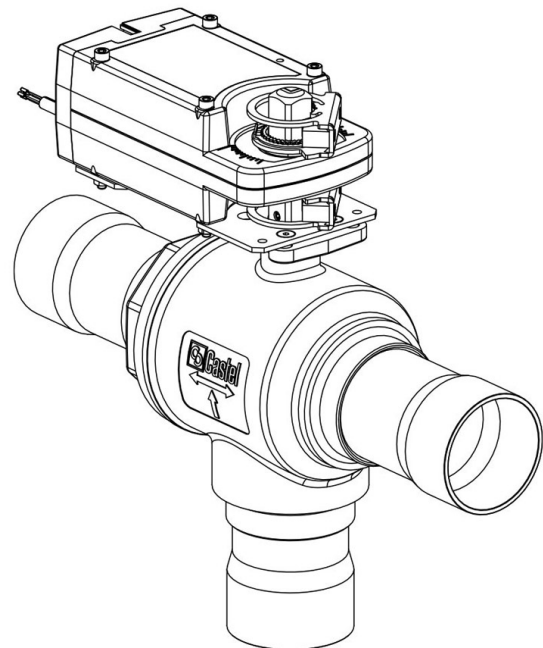


Product Code

**6690M/21A2**

3-Ways Motorized Ball Valve



### Product use

Accessories for use with the following ASHRAE 34:2019 refrigerants, Class A1:

HCFC (R22)

HFC (R134a, R404A, R407C, R410A, R507)

HFO (R1234ze)

HFO + HFC (R448A, R449A, R450A, R452A, R513A, R515A, R515B)

### Product Details

Part number (1) 6690M/21A2

Part number (1) NEW

Connections ODS Ø [in.] 2.5/8"

Connections ODS Ø [mm] -

P/N Servomotor 9730/RA2

Torque [Nm] 60

Ball port Ø [mm] 55

Kv[m<sup>3</sup>/h] 83,0

PS[bar] 45

TS[°C] min. -40

TS[°C] max. +150

Package pcs 1

## Notes where expressly stated

NB: proportional flow versions available  
(1): with servomotor and mounting plate